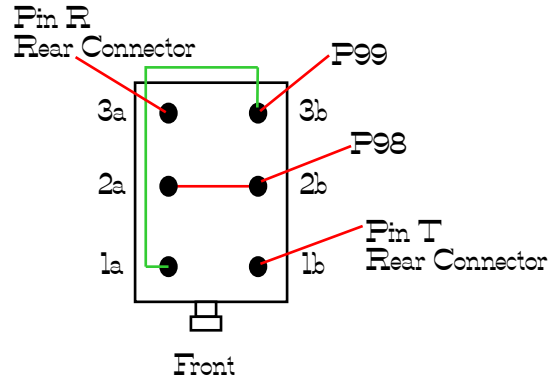
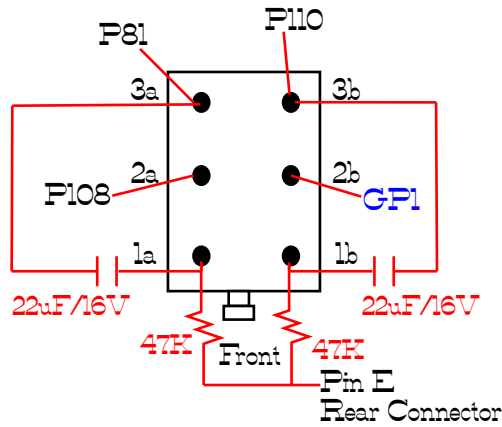


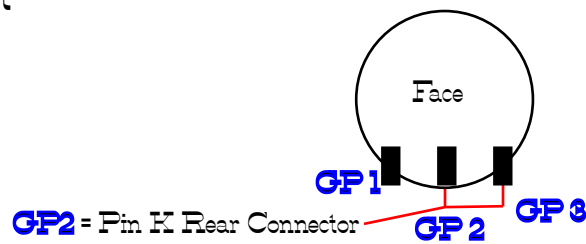
SW 12  
Phase  
DPDT



SW 13  
Bypass  
DPDT



Rear Trim Pot  
5K Log



This pot is mounted at the rear of the module. I believe it is used to trim the overall gain.

Phase + Bypass Switch

Switch Type  
Phase = DPDT  
Bypass = DPDT