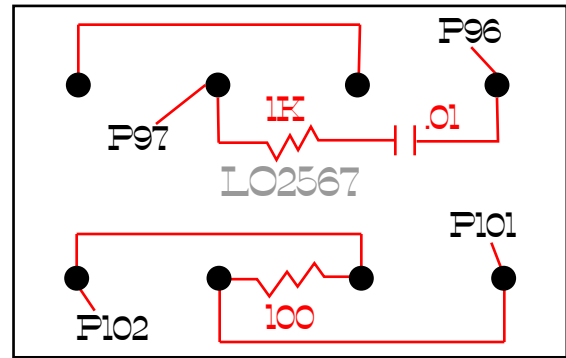
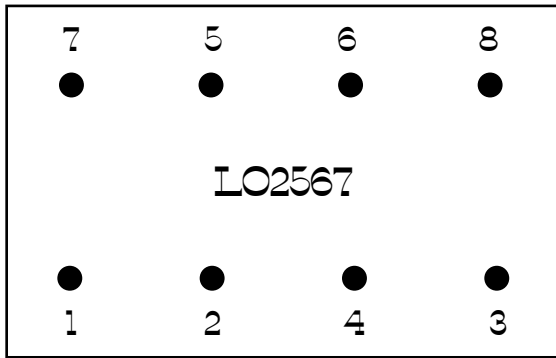
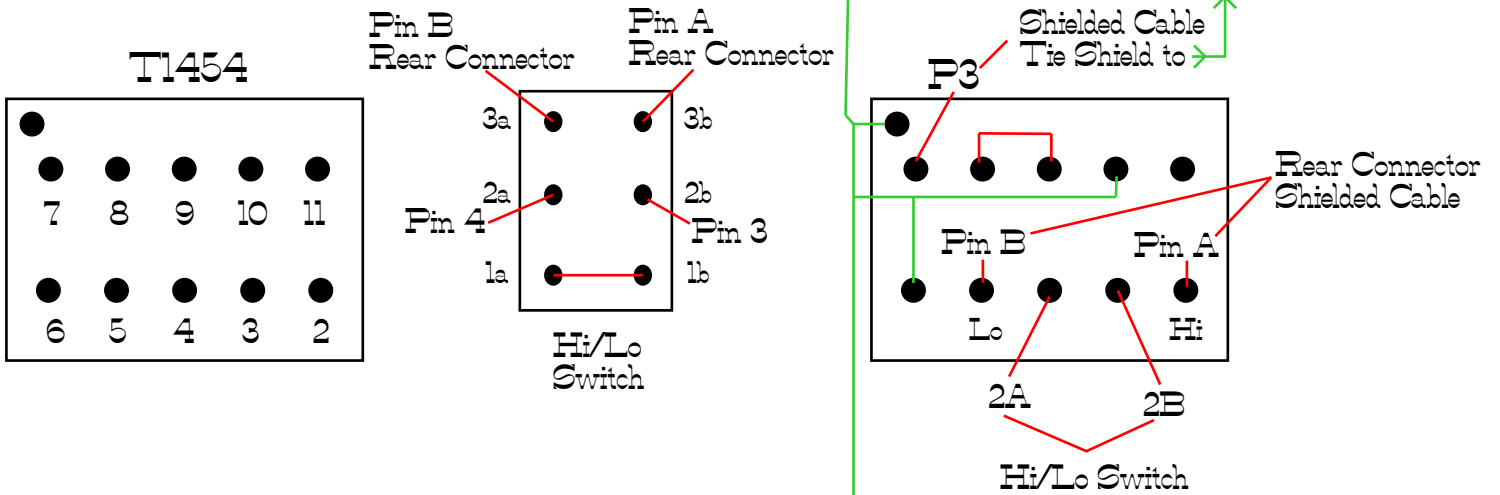


Output Transformer



Mic Input Transformer



Line Input Transformer

